

UNDERGROUND PULLER**FEATURES**

The Timberland model UP70-BD underground puller provides infinite speed control and precise tension and distance monitoring. The 203 mm (8") bullwheels are powered by a hydrostatic drive with a variable displacement axial piston pump and a two speed hydraulic motor. The cable payout is on demand with the bullwheel drive system feeding the pulling rope.

In the high linepull range, the unit has continuous linepull of 3,113 daN (7,000 lbs.) and a maximum speed of 30 m/min (100 fpm). In the high speed range, the unit has a maximum continuous linepull of 1,556 daN (3,500 lbs.) and a maximum speed of 60 m/min (200 fpm). In either speed range, the linespeed is infinitely variable from 0 to maximum. The speed control provides excellent inching capability throughout all linepull settings.

The storage reel will hold 822 m (2700 ft.) of 10 mm (3/8") diameter steel rope. A diamond lead screw automatic levelwind provides for even winding of the pulling rope onto the storage reel. The levelwind is driven from the storage reel and automatically traverses as the reel turns.

A dynamometer gauge is included calibrated in lbs. of linepull with an adjustable overload cut-off that will automatically stop the pull if the preset maximum linepull is reached. The unit is equipped with an emergency stop button and a 6 m (20') pendant cord. In the event the button is depressed, all pulling will stop.

An 203 mm (8") swivelling rear fairlead sheave is provided to guide through 360 degrees and has a locking screw to set it at any angle.

STANDARD FEATURES

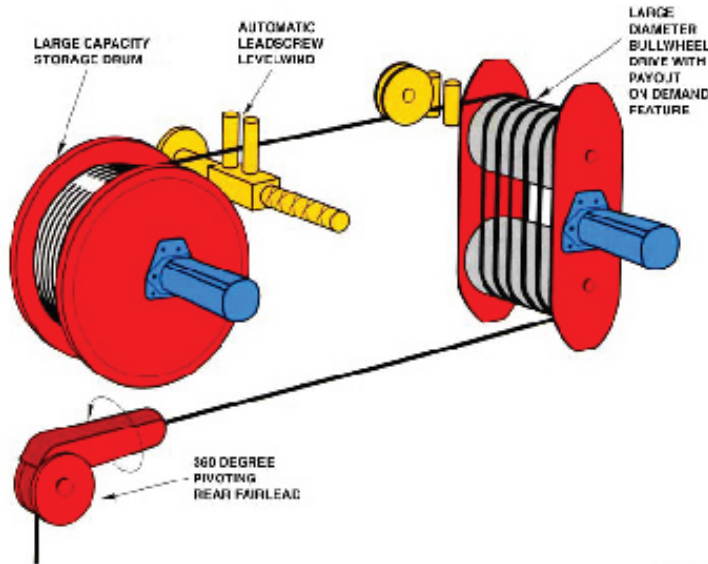
3,114 daN (7,000 lbs.) maximum linepull
0-45 m/min (0-150) fpm maximum linespeed
203 mm (8") bullwheels with 5 grooves
Reel capacity of 2700 ft. of 3/8" wire rope
Rope payout on demand
Automatic leadscrew levelwind
Swivelling rear fairlead
Remote emergency stop button
Overload cut-off
Pivoting rear jib with multi-positional roller
Tool box
59 kW (80 hp) diesel engine and 185 cfm air compressor combination

**OPTIONAL EQUIPMENT**

609 m (2000 ft.) or 823 m (2700 ft.) of 10 mm (3/8") galvanized steel pulling rope
Spring driven reel for air hose and automatic retrieval, includes 15 m (50') of hose
Three head roller assembly with 4", 5" & 6" conduit adapters to prevent pulling the duct out of the ground
Chart recorder kit

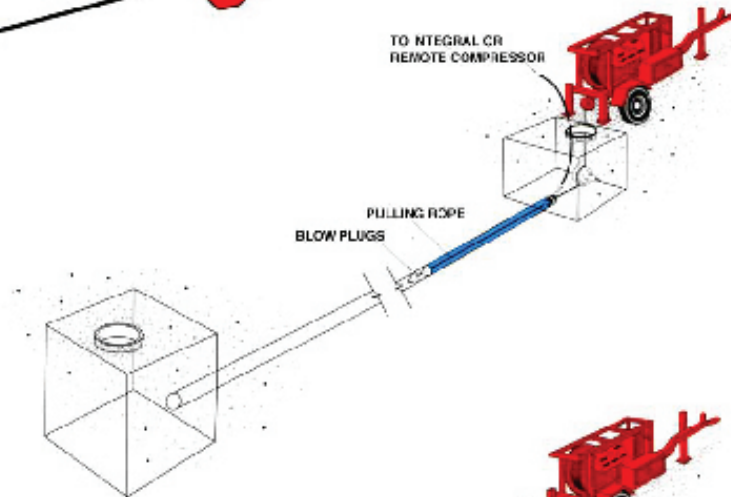
**OUR PEOPLE CARE ...
OUR EQUIPMENT IS THE PROOF****TENSION STRINGING EQUIPMENT & ACCESSORIES CATALOGUE**

UNDERGROUND PULLER

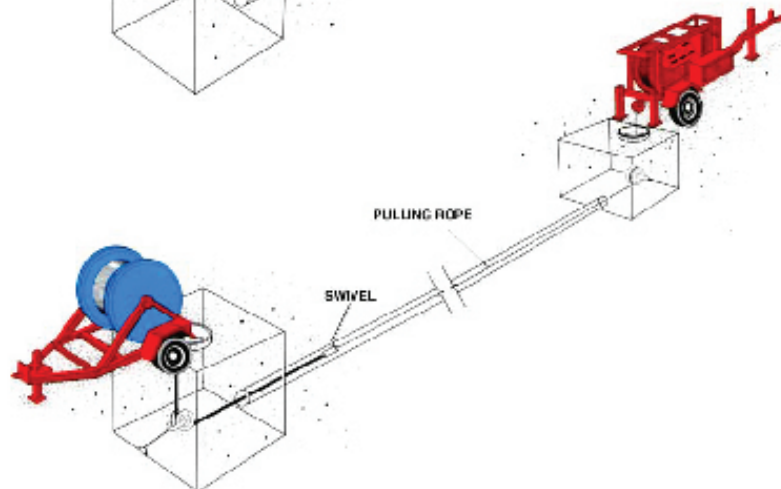


The unique hydraulic Bullwheel drive system provides constant pulling force and speed throughout the entire pull.

STEP 1
Payout on demand allows direct blowing of the pulling rope into the duct with either an integral or separate air compressor.



STEP 2
The cable is pulled with precise control and constant monitoring of both distance and pulling force.



**OUR PEOPLE CARE ...
OUR EQUIPMENT IS THE PROOF**

TENSION STRINGING EQUIPMENT & ACCESSORIES CATALOGUE