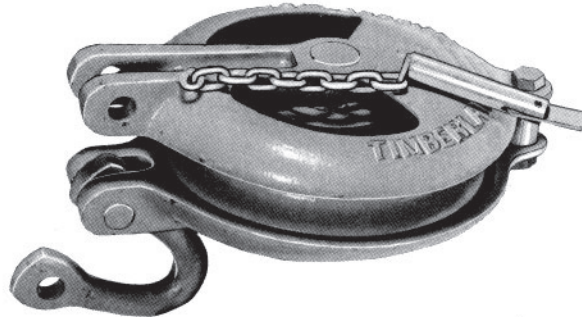


**ACCESSORIES**


Model Number	TE Part Number	Sheave Diameter		Attachment	Max. Rope Dia.		Ultimate Capacity		Safe Working Load		Optional Safety Latch Part #
		in.	mm		in.	mm	lbs	kg	lbs	kg	
116	711950	6	152	Plain Yoke	1/2	13	50,000	22,680	12,500	5,670	N/A
126	711951	6	152	Swivel Hook	1/2	13	36,000	16,330	9,000	4,082	537336
118	711955	8	203	Plain Yoke	5/8	16	70,000	31,752	17,500	7,938	N/A
128	71956	8	203	Swivel Hook	5/8	16	36,000	16,330	9,000	4,082	537336
1110	711961	10	254	Plain Yoke	3/4	19	125,000	56,700	31,250	14,175	N/A
1210	711962	10	254	Swivel Hook	3/4	19	42,000	19,051	10,500	4,763	537830

## Sagging Transits

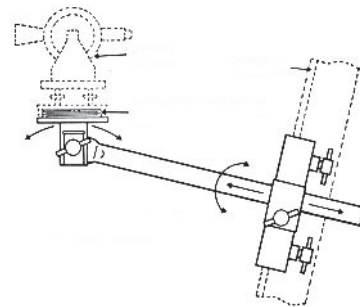
Primarily used to sag bundle conductor



Ruggedly constructed  
Weather protected  
Convenient to use  
Highly accurate

Models available for all sagging applications.

Optional tower mounting adaptor available



**OUR PEOPLE CARE ...  
OUR EQUIPMENT IS THE PROOF**

## TENSION STRINGING EQUIPMENT & ACCESSORIES CATALOGUE