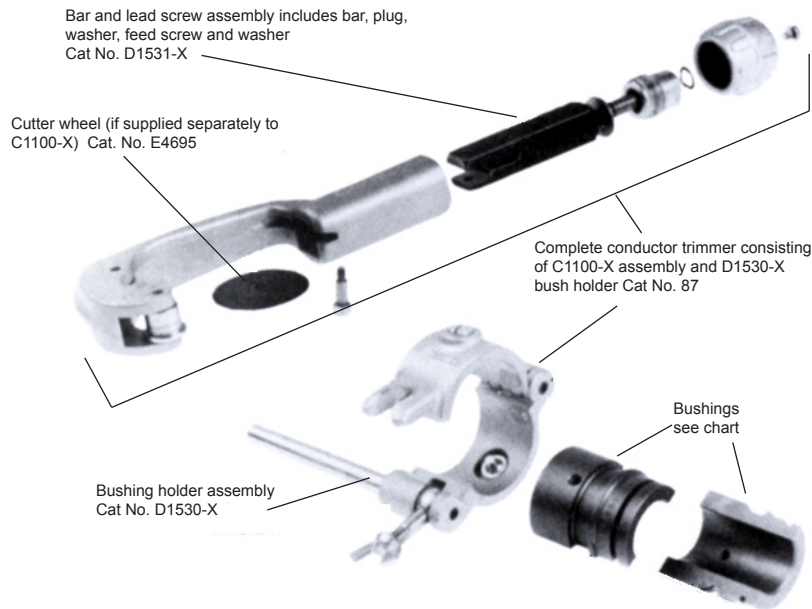


## ACCESSORIES



The Conductor Trimmer is specially designed to remove the aluminum strands from ACSR conductors without damage to the steel core when preparing conductors for compression jointing. Comprising a cutter assembly with replaceable cutting wheel, a bushing holder and bushing for gripping the conductor, the cutter assembly rotates on the bushing which also prevents the cutting wheel from reaching the steel strands.

Bushings for most standard sizes of ACSR conductors are available as indicated on the chart. Bushings for other conductors can be supplied on request.



Cat No.	Conductor Size	Code Name	Description
E5904	70 mm <sup>2</sup>	Horse	12/2.79 Alum., 7/2.79 Steel
E5927	100 mm <sup>2</sup> 100 mm <sup>2</sup>	Dog Hyena	6/4.72 Alum., 7/1.57 Steel 7/4.39 Alum., 7/1.93 Steel
E5914	150 mm <sup>2</sup>	Wolf	30/2.59 Alum., 7/2.59 Steel
E5915	175 mm <sup>2</sup>	Lynx	30/2.79 Alum., 7/2.79 Steel
E5923	400 mm <sup>2</sup>	Zebra	54/3.18 Alum., 7/3.18 Steel

**OUR PEOPLE CARE ...  
OUR EQUIPMENT IS THE PROOF**

## TENSION STRINGING EQUIPMENT & ACCESSORIES CATALOGUE