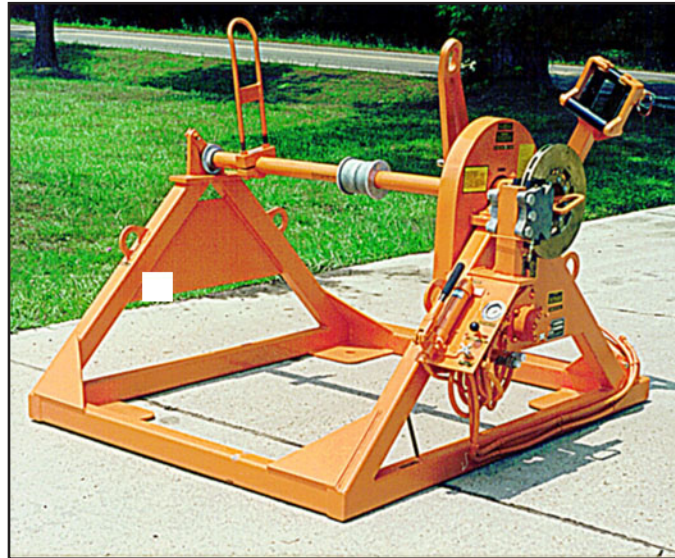


POWER REEL STANDS

SPECIFICATIONS

Maximum reel diameter	1830 mm (72")
Maximum reel width	1120 mm (44")
Maximum reel weight	3628 kg (8000 lbs)
Drive torque rating	2260 N-m (20,000 in-lbs)
Drive speed rating	34 rpm
Shaft diameter	67 mm (2 5/8")
Brake disc diameter	406 mm (16")
Length (Approx.)	1680 mm (66")
Width (Approx.)	2030 mm (80")
Height (Approx.)	1400 mm (55")

Ratings are based on a hydraulic supply of 56 l/min @ 138 bar (15 gpm @ 2000 psi)

STANDARD EQUIPMENT

Quick change reel shaft system with straight vertical lift
 Bronze bushings on reel shaft
 Double pin drive arm
 Locking collar with lifting loop
 Ventilated bronze disc brake
 Hydraulic caliper - manually adjusted
 Hydraulic drive motor
 Free wheel clutch
 Hydraulic boom levelwind

OPTIONS

Reel shaft bushings

**OUR PEOPLE CARE ...
OUR EQUIPMENT IS THE PROOF**

TENSION STRINGING EQUIPMENT & ACCESSORIES CATALOGUE

POWER REEL STANDS

MODEL	PRS-8 72 x 44	PRS-12 96 x 56	PRS-15 96 x 62	PRS-20 96x62
REEL CAPACITY				
Maximum Diameter	1830 mm (72")	2438 mm (96")	2440 mm (96")	2440 mm (96")
Maximum Width	1120 mm (44")	1576 mm (62")	1574 mm (62")	1576 mm (62")
Maximum Weight	3628 kg (8000 lbs)	5443 kg (12000 lbs)	6804 kg (15000 lbs)	9072 kg (20000 lbs)
UNIT DIMENSIONS				
Reel Shaft Diameter	66 mm / (2 5/8")	66 mm / (2 5/8")	89 mm / (3 1/2")	127 mm / (5")
Bronze Disc Brake	406 mm / (16")	406 mm / (16")	610 mm / (24")	914 mm / (36")
Length	1630 mm / (5'4")	2240 mm / (7'4")	2290 mm / (7'6")	2340 mm / (7'8")
Width	1930 mm / (6'4")	2540 mm / (8'4")	2590 mm / (8'6")	2690 mm / (8'10")

GENERAL FEATURES

- 2 x 10 m of hydraulic hoses
- Quick change reel shaft removal with straight vertical lift
- Bronze bushings on reel shaft
- Double pin drive arm
- Locking collar with lifting loop
- 4 lifting lugs welded to the frame
- Unit is sandblasted, primed and painted with 2 coats of yellow acrylic enamel

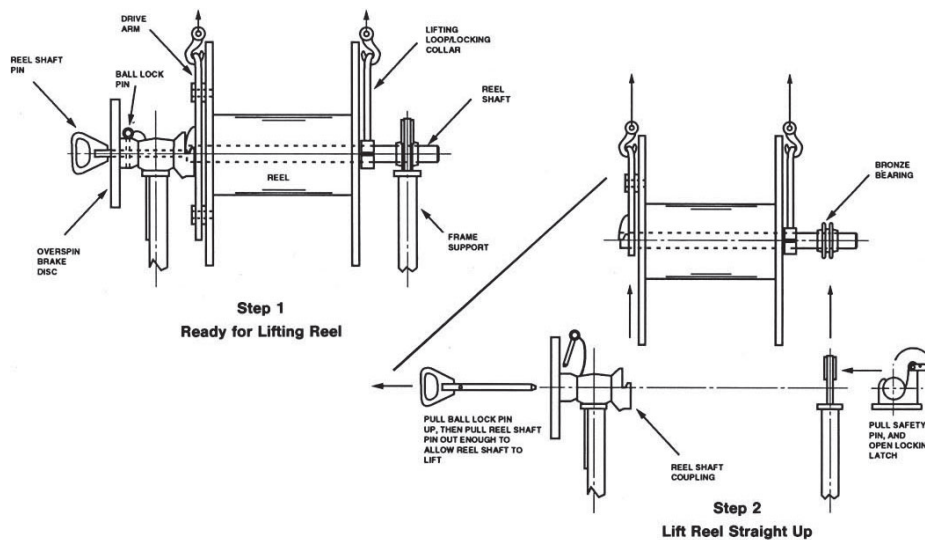
OPTIONS

- Hydraulic brake caliper in lieu of manual brake caliper
- Larger diameter disc brakes
- Manual reel shaft rewind
- Hydraulic reel shaft rewind with free wheeling disconnect

Note:

Reel stands with capacities and dimensions other than those listed are available.

QUICK-CHANGE REEL SHAFT REMOVAL SYSTEM



**OUR PEOPLE CARE ...
OUR EQUIPMENT IS THE PROOF**

TENSION STRINGING EQUIPMENT & ACCESSORIES CATALOGUE